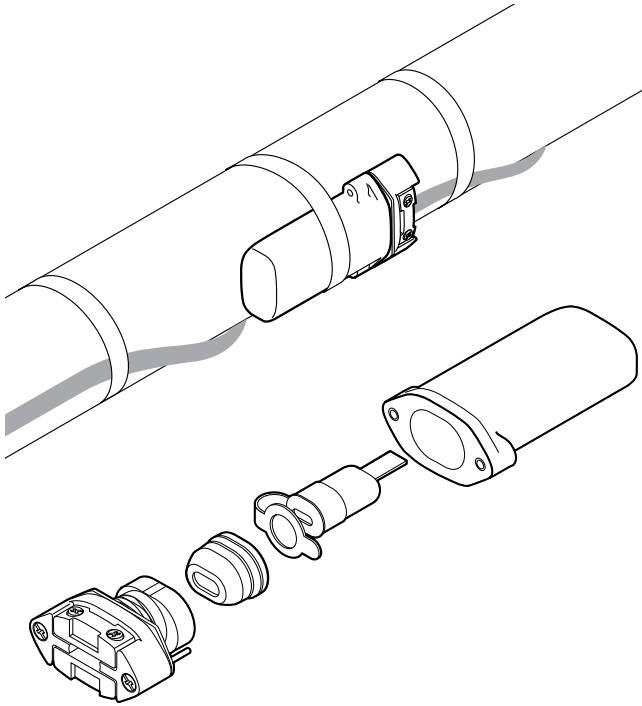


SANTO JQH-LEC

LOW PROFILE END SEAL - COLD APPLIED 



The JQH-LEC is a cold applied low profile end seal. This universal end seal is designed to fit with all Santo industrial self-regulating heating cables; UFA, UFB, UFC and UFO meaning simplified product selection and reduced inventory to stock. It can be used in applications with temperatures ranging from -50°C to 215°C . It is approved for use in hazardous areas.

The unique design of the JQH-LEC suits the demanding requirements of the industrial environment. The low profile housing can be installed on pipes and other surfaces. A spring loaded grommet makes a first seal to maintain a water tight connection while the non-curing sealant (silicone free) used in Santo's core sealing boot adds a second seal, providing additional protection. The rugged construction of the end seal makes it resistant to impact and suitable for high temperature variations and aggressive chemical exposure. The end seal is re-entenable. The JQH-LEC design provides a safe under the insulation end seal that can be relied upon over time.

The end seal requires no heat source for installation, making maintenance fast and easy. Each kit contains all the necessary materials to do one end termination.

DESCRIPTION

Cold applied end seal for use with UFA, UFB, UFC and UFO heating cables.

KIT CONTENTS

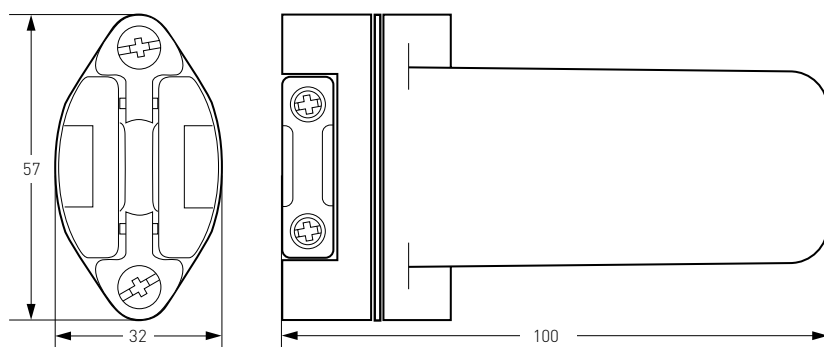
1 end seal enclosure housing
1 sealing grommet assembly
1 core sealing boot
1 identification label
1 installation instruction

APPROVALS

Hazardous locations

EAC (Russia, Kazakhstan, Belarus)
For other countries contact your local Santo representative.

DIMENSIONS (IN MM)



PRODUCT SPECIFICATIONS

Heating cable capability	UFA-CR, UFA-CT, UFB-CT, UFC-CT, UFO-CT
Ingress protection	IP66
Minimum installation temperature	-50°C
Maximum pipe temperature	Refer to heating cable specification
Operating voltage	277 V

MATERIALS OF CONSTRUCTION

Enclosure, end plate, and shim	Engineering polymers, black
Sealing grommet and core sealer	Silicone rubber
Screws, compression spring, reinforcement plate	Stainless steel

ORDERING DETAILS

End seal	JQH-LEC
PN (Weight)	2000-M52 (0.3 kg/0.6 lb.)