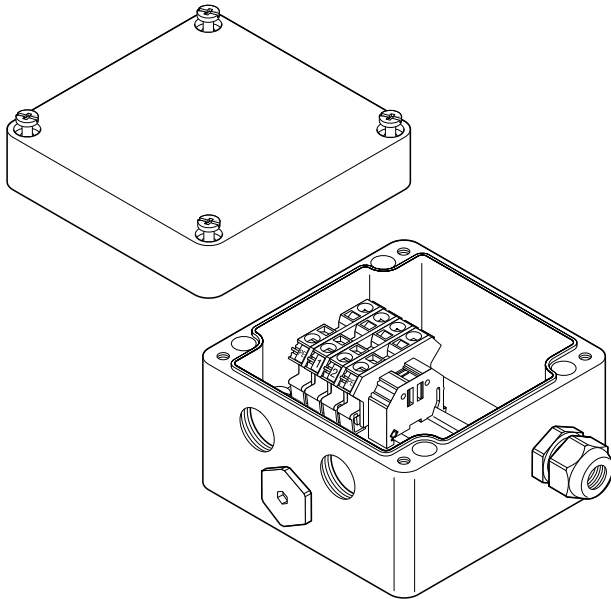




# SANTO MF-EX-20 AND MF-EX-20-EP

## MULTI PURPOSE JUNCTION BOX



Industrial junction box for use in hazardous areas with FMT, FHT, PI and MI heating cables. This box can be used to make connections between power cables, heating cables and cold lead cables. Depending on the configuration of the system, the box can accommodate heating cables, cold leads and a power cable. M20 connection kits have to be ordered separately depending on the type of heating cable being used.

Cable connection is via DIN rail mounted Spring-type terminals to provide fast installation and safe, reliable, maintenance-free operation.

The box can be either wall or pipe mounted via the four holes moulded in the base of the box. For pipe mounting, use one of the standard support brackets.

### TYPICAL USE

#### MF-EX-20

#### MF-EX-20-EP

Power supply box for series heating cables (PI & MI) and constant wattage parallel heating cables (FMT & FHT) or end box (star) for series heating cables (PI & MI), when using M20 connection kits

### ENTRIES

3 x M20  
1 x M25

3 x M20  
1 x M25

### KIT CONTENTS

Junction box with spring-type terminals on DIN rail

Junction box with spring-type terminals on DIN rail, earthing plate and an external earth stud

1 x M20 stopping plug  
2 x M20 rain plugs (temporary)  
1 x M25 Hazardous area approved cable gland for power cables with Ø of 8 to 17 mm  
1 x terminal jumper allowing various wiring configurations (remove terminal plate)

1 x M20 stopping plug  
2 x M20 rain plugs (temporary)  
1 x M25 rain plug (temporary)

### APPROVALS

**EAC** (Russia, Kazakhstan, Belarus)  
For other countries contact your local Santo representative.

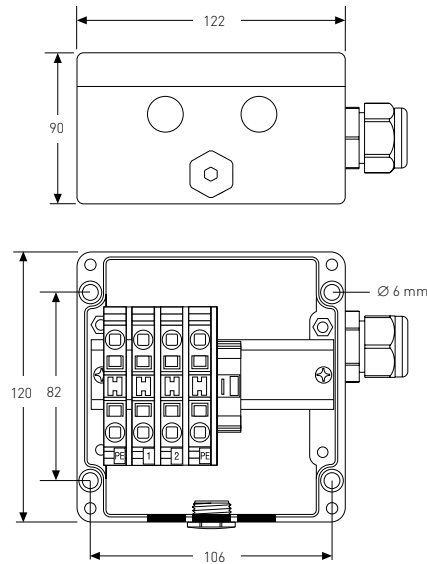
## MF-EX-20 AND MF-EX-20-EP

### MATERIALS OF CONSTRUCTION

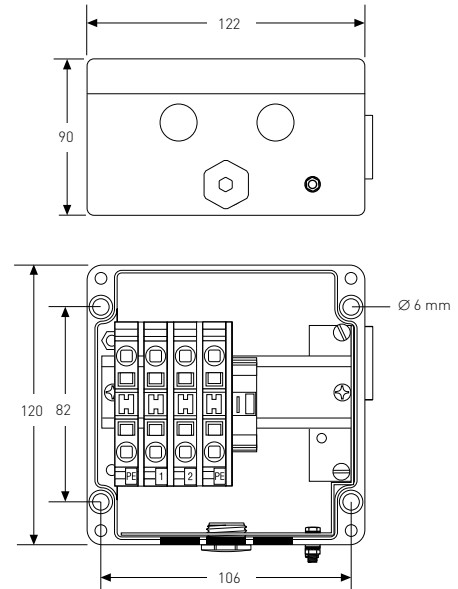
Box & lid	Electrostatic charge-resistant glass-filled engineered polymer, black	Electrostatic charge-resistant glass-filled engineered polymer, black
Sealing gasket	Silicone rubber	Silicone rubber
Lid fixing screws	Stainless steel (captive)	Stainless steel (captive)
Earthing plate	N.A.	Steel, zinc plated and blue chromated

### DIMENSIONS (IN MM)

#### MF-EX-20



#### MF-EX-20-EP



### INGRESS PROTECTION

IP66

IP66

### AMBIENT TEMPERATURE RANGE

-55°C to +55°C

-55°C to +55°C

### TERMINALS

Quantity	4 pcs, spring-type	4 pcs, spring-type
Labeling	1, 2 + 2 x PE	1, 2 + 2 x PE
Maximum conductor size	10 mm <sup>2</sup> (solid & stranded)	10 mm <sup>2</sup> (solid & stranded)
Maximum operating voltage	590 Vac	590 Vac
Maximum operating current	53 A	53 A

**ACCESSORIES (TO BE ORDERED SEPARATELY)**

Support bracket	SB-100, SB-101, SB-110, SB-111	SB-100, SB-101, SB-110, SB-111
Power cable gland	GL-36-M25 (included)	GL-38-M25-METAL (optional)
Loose terminals (*)	Phase/neutral terminal: Earth terminal: End plate: Terminal jumper:	WAGO-PHASE WAGO-EARTH WAGO-ENDPLATE WAGO-JUMPER
Connection kit for FMT and FHT heating cables	C20-01-F hot applied connection kit with plastic gland	C20-02-F cold applied connection kit with metal gland
Insulation entry kit for FMT and FHT heating cables	IEK-25-04 or IEK-25-PIPE	IEK-25-04 or IEK-25-PIPE
Gland for PI cold leads	GL-44-M20-KIT hazardous area approved gland	GL-44-M20-KIT hazardous area approved gland
Insulation entry kit for PI cold leads	IEK-20-PI	IEK-20-PI
Stopping plug	PLUG-M20-EXE-PLASTIC	PLUG-M20-EXE-PLASTIC

**ORDERING DETAILS**

Order reference	MF-EX-20	MF-EX-20-EP
Part number (Weight)	2000-M18 (0.9 kg)	2000-M19 (1 kg)

(\*) in total no more than 6 terminals of this type should be installed.