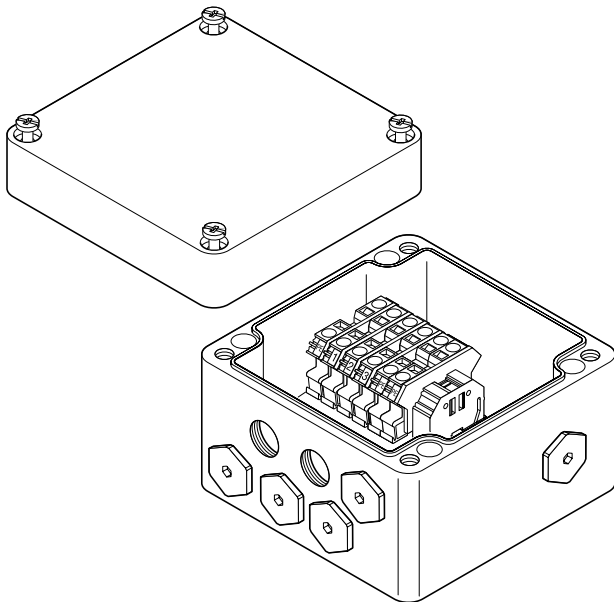




SANTO MF-EX-21

MULTI PURPOSE JUNCTION BOX



Industrial polyester junction box for use in hazardous areas. This box can be used to make connections between power cables, heating cables and cold lead cables using M20 connection kits. Depending on the configuration of the system, the box can accommodate six heating cables/cold leads and a power cable. M20 connection kits have to be ordered separately depending on the type of heating cable being used. Cable connection is accomplished via DIN rail mounted spring-type terminals.

The box can be either wall or pipe mounted via the four holes moulded in the base of the box. For pipe mounting use one of the standard support bracket.

TYPICAL USE

Power supply box, end-box, splice box (3-phase and loop), marshalling box.

ENTRIES

6 x M20
1 x M32

KIT CONTENTS

1 x junction box with terminals on DIN rail
4 x M20 stopping plugs
2 x M20 rain plug (temporary)
1 x M32 stopping plug
1 x terminal jumper allowing various wiring configurations (remove terminal plate)

APPROVALS

ERC (Russia, Kazakhstan, Belarus)
For other countries contact your local Santo representative.

MATERIALS OF CONSTRUCTION

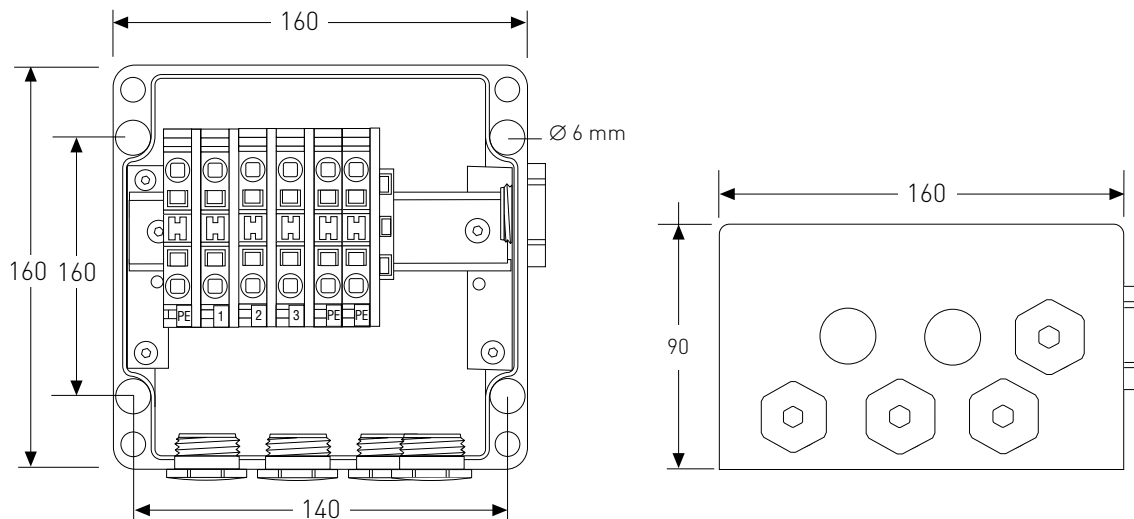
Box & lid	Electrostatic charge-resistant glass-filled engineered polymer, black
Sealing gasket	Silicone rubber
Lid fixing screws	Stainless steel (captive)

INGRESS PROTECTION

IP66

AMBIENT TEMPERATURE RANGE

-55°C to +55°C

DIMENSIONS (IN MM)**TERMINALS**

Quantity	6 pc.
Type	Spring-type
Labeling	1, 2, 3, 3 x PE
Maximum conductor size	10 mm ² (solid & stranded)
Maximum operating voltage	550 Vac
Maximum operating current	53 A

ACCESSORIES (TO BE ORDERED SEPARATELY)

Support bracket	SB-100, SB-101
Gland for PI cold leads	GL-44-M20-KIT hazardous area approved gland for cables Ø 5.5-13 mm
Gland for MI cold leads	Contact Santo
Gland for power cable	GL-45-M32 hazardous area approved gland for cables Ø 12-21 mm
Loose terminals (*)	Phase/neutral terminal: WAGO-PHASE Earth terminal: WAGO-EARTH End plate: WAGO-ENDPLATE Terminal jumper: WAGO-JUMPER

ORDERING DETAILS

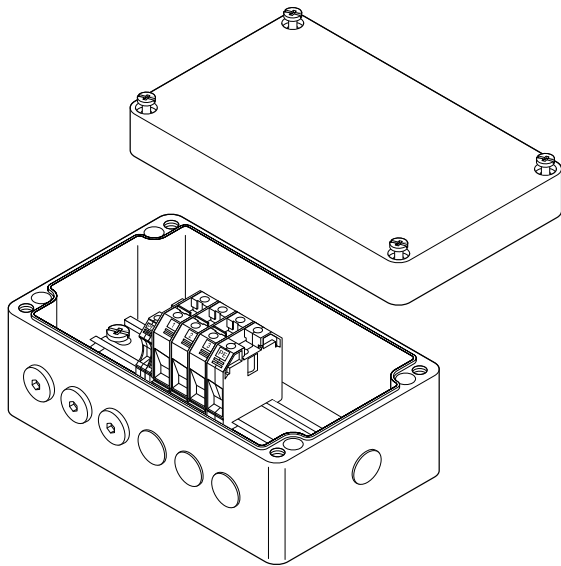
Order reference	MF-EX-21
Part number (Weight)	2000-M20 (1.2 kg)

(*) in total no more than 10 terminals should be installed.



SANTO MF-EX-21/35MM2

MULTI PURPOSE JUNCTION BOX



Industrial junction box for use in hazardous areas with PI and MI heating cables when large terminal sizes are required. This box can be used to make connections between power cables, heating cables and cold lead cables. Depending on the configuration of the system, the box can accommodate multiple heating cables/cold leads and a power cable.

The M20 connection kits have to be ordered separately depending on the type of heating cable being used.

Cable connection is accomplished via DIN rail mounted screw terminals from Weidmuller to provide safe, reliable and maintenance-free operation.

The box can be wall mounted via the four holes moulded in the base of the box.

TYPICAL USE

Power supply box, end-box, splice box for series heating cables (PI & MI), when using M20 connection kits. Marshalling box for power cables.

ENTRIES

6 x M20
1 x M40

KIT CONTENTS

1 x Junction box with screw terminals on DIN rail
3 x M20 stopping plugs
3 x M20 rain plugs (temporary)
1 x M40 stopping plug

APPROVALS

EAC (Russia, Kazakhstan, Belarus)
For other countries contact your local Santo representative.

MATERIALS OF CONSTRUCTION

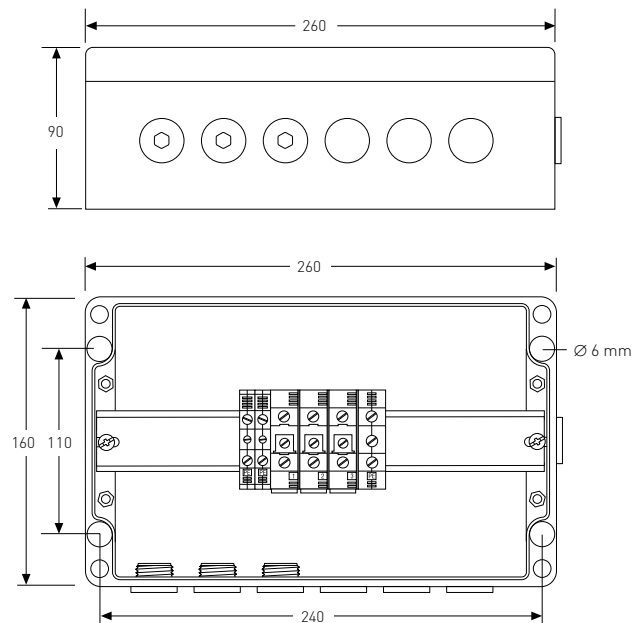
Box & lid	Electrostatic charge-resistant glass-filled engineered polymer, black
Sealing gasket	Silicone rubber
Lid fixing screws	Stainless steel (captive)

INGRESS PROTECTION

IP66

AMBIENT TEMPERATURE RANGE

-50°C to +55°C

DIMENSIONS (IN MM)**TERMINALS**

Quantity & type	3 pcs WDU35 screw terminals 2 pcs WPE10 earth terminals for heating cable earth leads 1 pc WPE35 earth terminal for power cable Junction box can accommodate up to 6 fully loaded phase/neutral terminals (maximum 10 terminals in total)
Labelling	1, 2, 3 + 3 x PE
Minimum conductor size	2.5 mm ² stranded & solid
Maximum conductor size	35 mm ² stranded & 16 mm ² solid
Maximum operating voltage	690 Vac
Maximum operating current	100 A

ACCESSORIES (TO BE ORDERED SEPARATELY)

Glands for power cables	GL-51-M40 hazardous area approved gland for cables Ø 17-28 mm, GL-45-M32 hazardous area approved gland for cables Ø 12-21 mm, GL-50-M20 hazardous area approved gland for cables Ø 5.5-13 mm	
Reducer	REDUCER-M40/32-EEXE hazardous area M40 male to M32 female reducer	
Loose terminals	35 mm ² phase/neutral terminal:	WDM-PHASE-35
	10 mm ² earth terminal:	WDM-EARTH-10
	35 mm ² earth terminal:	WDM-EARTH-35
	Endplate:	WDM-PLATE
	Terminal jumper (2):	WDM-JUMPER-35-2
	Terminal jumper (3):	WDM-JUMPER-35-3
Gland for PI cold leads	GL-44-M20-KIT hazardous area approved gland for cables Ø 5.5-13 mm	
Insulation entry kit for PI cold leads	IEK-20-PI	
Gland for MI cold leads	In case of factory terminated units, already present.	

ORDERING DETAILS

Order reference	MF-EX-21/35MM2
Part number (Weight)	2000-M21 (1.9 kg)