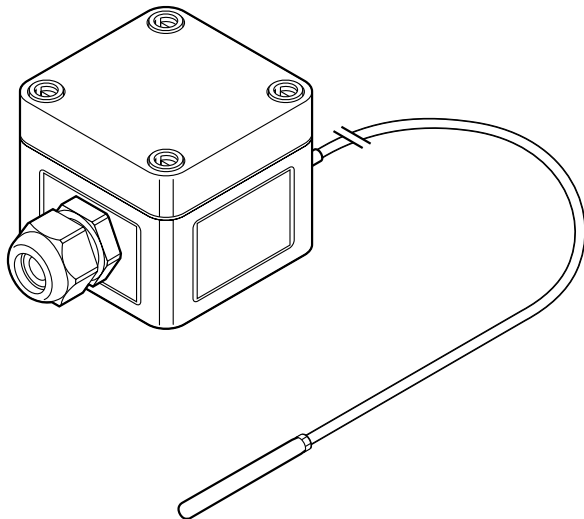




# SANTO MONI-PT100-NH

## TEMPERATURE SENSOR FOR ORDINARY AREA



2 wire Pt 100 sensor with glass fiber reinforced polycarbonate junction box for installation in ordinary area.

### AREA OF USE

Ordinary area

### APPROVALS

**ERC** (Russia, Kazakhstan, Belarus)  
For other countries contact your local Santo representative.

### SENSOR

Type	Pt 100 (2 wire) DIN IEC 751, Class B
Material	Tip: stainless steel Extension cable: silicone
Temperature measuring range	-50°C to +180°C
Temperature range extension cable	-50°C to +180°C (+215°C maximum 1000 hrs), max. exposure temp. tip: +400°C
Length	2 m
Diameter	Extension cable ca 4.6 mm, tip ca 6.0 mm
Minimum bending radius	Extension cable: 5 mm, the measuring tip should not be bent

### ENCLOSURE

Ingress protection	IP66
Material	Glass fiber reinforced polycarbonate (gray)
Dimensions	With = 65 mm Height = 65 mm Depth = 57 mm
Cable gland	M20 (polyamide) suitable for cable diameters ranging from 10 mm to 14 mm
Operating temperature	-30°C to +80°C
Lid sealing gasket material	CFC-free Polyurethane
Cover screws	Plastic
Mounting	For pipe mount use MF-SB-26 wall mount surface mount via moulded holes at 50 x 50 mm

**INSTALLATION AND CONNECTION**

Terminals	3 front entry spring-type terminals (terminals 2 and 3 are bridged)
Terminal sizing	Terminals suitable for cables from 0.15 mm to 2.5 mm <sup>2</sup>

**ORDERING DETAILS**

Part Description	MONI-PT100-NH
PN (Weight)	2000-U50 (0.22 kg)