

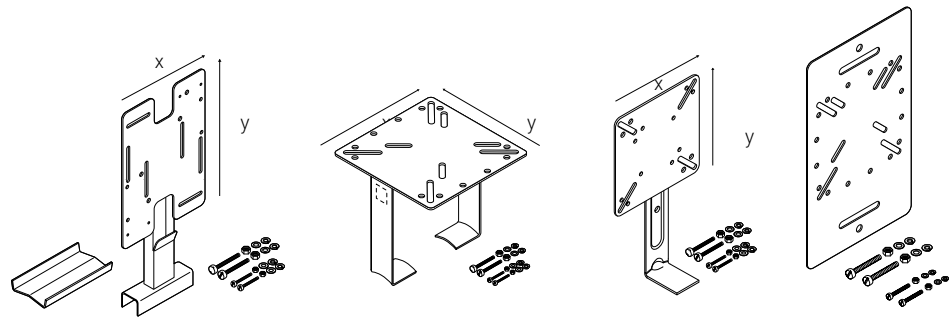
# ACCESSORIES

## SUPPORTS

Support brackets are used to fix equipment such as thermostats or junction boxes on pipes or cable trays. Support brackets require additional pipe straps which have to be ordered separately.

They include a set of M6 and/or M4 fixing screws, nuts, washers and spring lock washers for the fixation of one junction box or thermostat. They are fabricated in stainless steel (SS304, and passivation)

The table below outlines the typical compatibility of each bracket with relevant equipment, for other equipment please contact Santo representative.

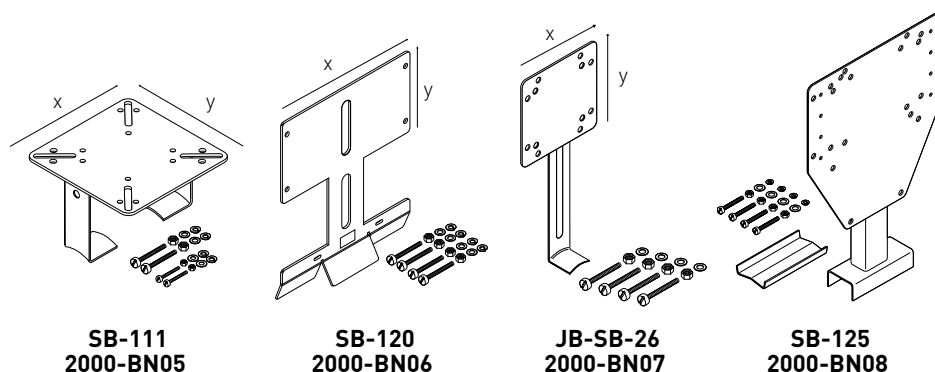


	<b>SB-100 2000-BN01</b>	<b>SB-101 2000-BN02</b>	<b>SB-110 2000-BN03</b>	<b>SB-130** 2000-BN04</b>
DATC-TS-13	x	x	x	x
DATC-TS-14	x	x	x	x
MF-82	x	x	x	x
MF-EX-20(-EP)	x	x	x	x
MF-EX-21	x	x		x
MF-EX-21/35MM2				
MF-EX-25/35MM2				
MF-EX-32/35MM2				
MFU-100(-L)-E(P)	x	x		x
MONI-PT100-EXE		x		x
MONI-PT100-NH		x		x
MONI-PT100-4/20mA		x		x
DATC-CONTROL-10	x	x		x
DATC-ECO-10	x	x		x
DATC-EX-02	x	x	x	x
DATC-EX-03	x	x		x
DATC-EX-04	x	x		x
DATC-20-C(L)-E				
T-M-10-S/+x+y	x	x		x
T-M-20-S/+x+y(/EX)			x	

\*\*Support bracket for fixation to cable trays

**TECHNICAL DATA**

	<b>SB-100 2000-BN01</b>	<b>SB-101 2000-BN02</b>	<b>SB-110 2000-BN03</b>	<b>SB-130** 2000-BN04</b>
Plate size (mm) X x Y	160 x 230	160 x 160	130 x 130	180 x 315
Distance pipe-plate (mm)	100	160	100	N.A.
Number of pipe straps required	2	2	1	2
Max. pipe temperature (°C)	230	230	230	N.A.
Weight (kg)	0.70	0.59	0.40	0.62



	<b>SB-111 2000-BN05</b>	<b>SB-120 2000-BN06</b>	<b>JB-SB-26 2000-BN07</b>	<b>SB-125 2000-BN08</b>
DATC-TS-13	x			
DATC-TS-14	x			
MF-82	x			x
MF-EX-20(-EP)	x			
MF-EX-21				
MF-EX-21/35MM2	x*			
MF-EX-25/35MM2	x*			
MF-EX-32/35MM2	x*			
MFU-100(-L)-E(P)				x
MONI-PT100-EXE	x		x	
MONI-PT100-NH	x		x	
MONI-PT100-4/20mA	x		x	
DATC-CONTROL-10				x
DATC-ECO-10				x
DATC-EX-02	x			x
DATC-EX-03				x
DATC-EX-04				x
DATC-20-C(L)-E		x		x
T-M-10-S/+x+y	x			
T-M-20-S/+x+y/(EX)		x		x

\* Use 2 brackets per junction box

**TECHNICAL DATA**

	<b>SB-111 2000-BN05</b>	<b>SB-120 2000-BN06</b>	<b>JB-SB-26 2000-BN07</b>	<b>SB-125 2000-BN08</b>
Plate size (mm) X x Y	130 x 130	220 x 120	80 x 80	220 x 232
Distance pipe-plate (mm)	100	120	100	100
Number of pipe straps required	2	2	1	2
Max. pipe temperature (°C)	230	230	230	230
Weight (kg)	0.48	0.66	0.20	0.90